



Max: 150 kg/330 lbs

For patients with weak legs and poor balance, TurnSafe provides support during transfers between bed/wheelchair/toilet/ chair. Turn Safe has a footplate that can be rotated, adjustable leg supports and sturdy handles for both the patient and the caregiver. A foot brake on the caregiver's side facilitates braking of the footplate. Padding for the leg supports is available as an accessory.

SystemRoMedic is a series of different models of transfer assistive devices. The choice of assistive devices depends on the transfer situation and the patient's functional capability and needs.

Functional inspection

Visual inspection

Check the condition and function of the product regularly. Check to ensure that material is free from damage. If there are signs of wear, the product must be inspected and serviced.

Always read the manual

Always read the manuals for all assistive devices used during a transfer.

Keep the manual where it is accessible to users of the product.

Do not leave the patient unattended during a transfer situation.

Note that the product is not to be used for transporting the patient.

The product should be inspected yearly, and otherwise as required, by a qualified technician. Service must be performed by a qualified technician.

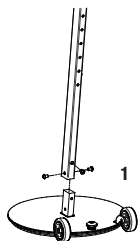
Special requirements and conditions

- The caregiver must always keep a foot on the brake while the patient is standing up, sitting down or standing still.
- The caregiver must always perform the transfer slowly and gently.
- TurnSafe must not be used to transport patients.
- The patient must always hold the lower support handle.

To transfer with TurnSafe, the patient must be able to:

- support weight while standing
- stand up/sit down and maintain balance (with support)
- grasp handles
- understand instructions

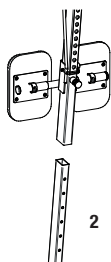
Assembly



TurnSafe consists of three sections that can be easily disassembled for storage and transport.

The lower mast is secured to the footplate with three screws (see image 1).

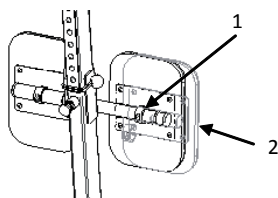
Insert the upper mast with leg supports and support handles, and push into place (see image 2).



Adjustment of leg supports and support handles

Support handle: The support handle can be set at five different positions by pressing the safety buttons and moving the handle to the desired height. Ensure that the safety button is properly secured in the hole.

Leg support: The leg support can be regulated at 2.5 cm intervals. First, remove the elastic band on one side. Then, move the leg support into position just below the kneecap. Press the leg support into place and secure the elastic band.



Width Regulating of the leg supports: Pull out the clip (1) and move the leg support to the desired width (2). Put the clip back. Be aware that the leg supports are symmetric to each other.

Using TurnSafe

Ensure that the surface from which the patient is to be moved is perpendicular to the surface to which the transfer is being made.

Separate the patient's feet, so that the TurnSafe can be placed right in front of the patient.

Tilt the TurnSafe back to move it easily with the help of the two wheels.

Now, place the TurnSafe between the patient's feet, so that the footplate's side is aligned with the front of the wheelchair/ chair. Adjust the support handle height with the safety buttons, so that it is at an appropriate height for the patient. Then, move the leg supports into position just below the patient's kneecaps.

The patient can now place his/her feet on the footplate.

The caregiver holds the upper support handles while pressing down on the brake until both the patient and the caregiver are ready to perform the transfer.

The patient grasps the lower support handles and rises slowly to a standing position while holding onto the handles throughout the transfer.

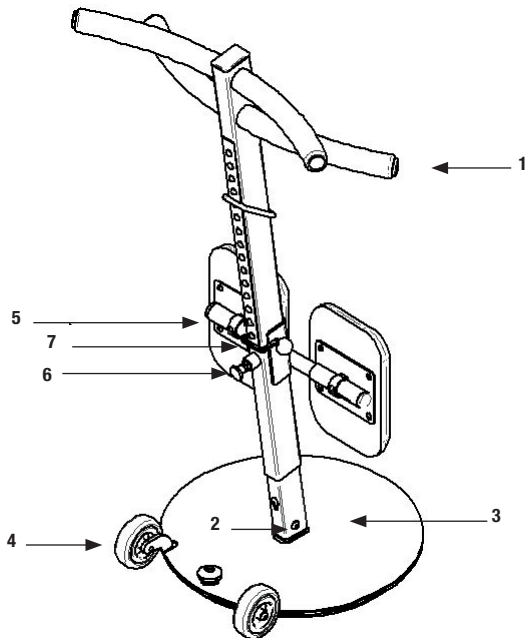
The caregiver can now release the brake and slowly turn the patient towards the wheelchair/ chair.

Press down on the brake again, so that the patient can sit.

Instructions for reconditioning

Detailed description

1. Mast and handles
2. Locking knobs
3. Base
4. Wheels
5. Lower-leg support
6. Locking knobs for lower-leg support
7. Safety buttons



BEFORE USE

Before the product is used, check to ensure that the screws are securely tightened. The product must be inspected regularly by an authorized technician. The product must be inspected thoroughly at least once each year, or more regularly if it is used very frequently. Inspection and service must be performed by an authorized technician.

Mast and handles

Check to ensure that there is no visible damage.

Locking handles

Mount the mast on the base and secure it in place.

Base

Turn the TurnSafe around and check to ensure that all parts are securely in place.

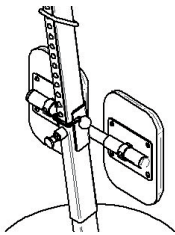
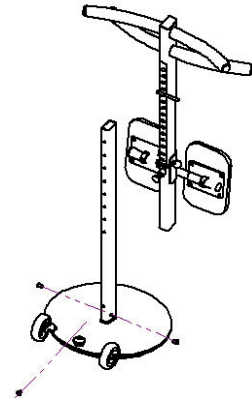
Changing the wheels

NOTE! The mast must be removed.

Loosen the locking nut and pull the wheel bolt/axle straight out.

Lower-leg support

Check to ensure that the support can be adjusted correctly relative to the mast.



Cleaning TurnSafe

Use a soft cloth and mild cleaning agent such as dishwashing liquid or car shampoo to clean the TurnSafe. Do not use abrasive cloths or brushes to clean the base plate.

Do not use solvents. To disinfect, use 70% alcohol.

AMILAKE

SOUTHERN



LIMITED

info@amilakesouthern.co.uk

SystemRoMedic™

Easy-to-use assistive devices for

Easy transfers and to making life and work easier for both patients and personnel in the care sector.

Experience, innovation and training are the basis for SystemRoMedic, a total solution for every imaginable transfer situation.

Transfer: products for moving patients between locations.

Positioning: products for repositioning in the same location.

Support: products that provide mobility support.

Lifting: products adapted for lifting.

The philosophy behind SystemRoMedic is to prevent occupational injuries while improving the patient's sense of independence and dignity. Through a combination of training and a complete range of transfer-assistive devices, SystemRoMedic offers the means to improving both the work environment and the quality of care while enabling significant cost savings.

Their mission, is to help people, has always been, and will continue to be, their driving force of innovation. They love easy transfers.



info@amilakesouthern.co.uk