

WallRack is a wall-mounted hanger that is used mainly for storing disposable covers for EasySlide and RollerSlide, but can also be used for storing the products themselves.

SystemRoMedic is a series of different models of transfer assistive devices. The choice of assistive devices depends on the transfer situation and the patient's functional capability and needs.



Functional inspection

Visual inspection

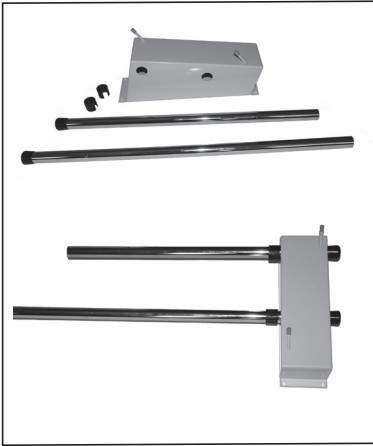
Check the condition and function of the assistive device regularly. If there are signs of wear, the product must be discarded.



Always read the manual

Always read the manuals for all assistive devices used during a transfer.
Keep the manual where it is accessible to users of the product.

Wallrack



WallRack can be mounted either right-hung or left-hung on the wall.

Easily disassembled for remounting hangers on either the left or right side of the mid-section.

Care of the product:

Clean with dishwashing liquid or disinfectant. Wipe with a cloth.



P O Box 4791 Ferndown Dorset BH22 9WB

Tel: 07857 603031 Fax: 01202 877240

Email: info@amilakesouthern.co.uk