



Max: 180 kg/400 lbs

RoWalker400 is a walker that is used as an aid to walking training by patients with impaired leg strength and balance. RoWalker400 is designed for early mobilization specially for cardio-thoracic and abdominal post surgical patients. Features include integration for oxygen, drain bags and IV poles. What distinguishes the RoWalker400 from other walkers is that it is equipped with seat pads that can be used either to provide extra security when the legs are weak or to sit on when the patient needs a rest during walking/mobility training.

SystemRoMedic is a series of different models of transfer assistive devices. The choice of assistive devices depends on the transfer situation and the patient's functional capability and needs.



Functional inspection

Visual inspection

Check the condition and function of the assistive device regularly. Check to ensure that seams and material are free from damage. If there are signs of wear, the product must be inspected and serviced.



Always read the manual

Always read the manuals for all assistive devices used during a transfer.

Keep the manual where it is accessible to users of the product.

Do not leave the patient unattended during a transfer situation.

The product should be inspected yearly, and otherwise as required, by a qualified technician. Service must be performed by a qualified technician.

Description of parts

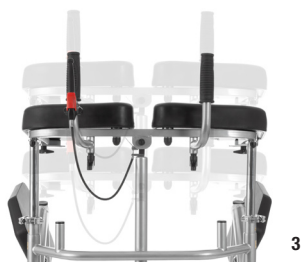


1. Seat pads
2. Armrests
3. Lever for height adjustment
4. Handlebar
5. Knee pad
6. Foot pedal for base-width adjustment
7. Brakes
8. Hooks for portable oxygen system
9. Directional wheel lock
10. Locking handle for securing arm rests height
11. Locking handle for securing arm rests width

Functions



- **Split seat pads:** can both swing out and flip up (image 2)
- **Soft knee pad:** can be tilted (image 1)
- **Foot pedal:** for base-width adjustment to enable easy access to chair or wheelchair (image 1)
- **Handlebar with height adjustment:** ergonomical and easy for the patient to hold, while the arm rest can be set at the right height with the help of pressurized air (image 3)
- **Hooks for portable oxygen system:** Two hooks for convenient mounting of a portable oxygen system that the patient can use during walking training (image 3).



Special requirements and conditions

- RoWalker400 is not intended for long transfers.
- RoWalker400 can only be used on flat floor.

To transfer with RoWalker400, the patient must be able to:

- support weight while standing
- stand up and maintain balance (with support)
- grasp handles
- understand instructions

Testing standing function

RoWalker400 is ideal for testing a patient's standing function in cases where there is uncertainty as to whether the patient is able to rise from a seated to a standing position.

Training standing function

RoWalker400 can be used to train the patient's standing, sitting and sit-to-stand function. To measure improvement, use a stopwatch or clock with a second hand to time the patient.

Walking/mobility training

RoWalker400 is a walker that is used as an aid to walking training by patients with impaired leg strength and balance. What distinguishes the RoWalker400 from other walkers is that it is equipped with seat pads that can be used either to provide extra security when the legs are weak or to sit on when the patient needs a rest during walking/mobility training.

Adjust the arm rests to the appropriate height for the patient.

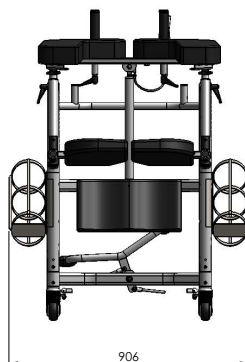
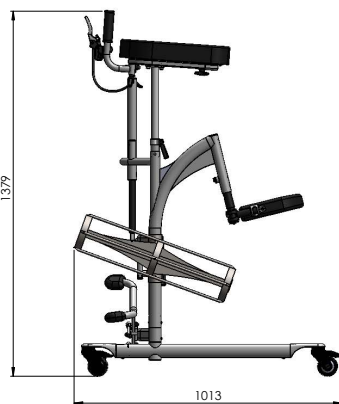
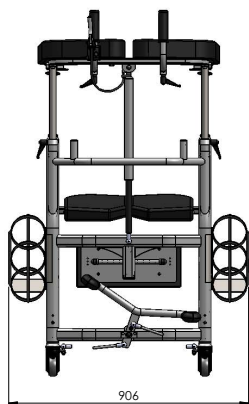
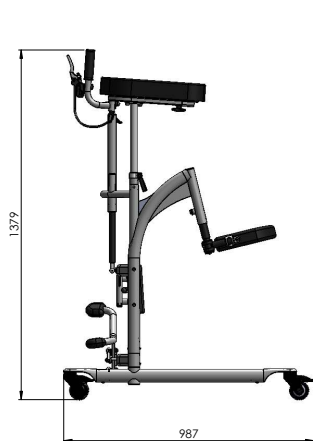
Place RoWalker400 as close to the patient as possible and ask the patient to place his/her legs against the knee pad.

The patient can then rise to a standing position, place the arms on the arm rest and grasp the handlebar. If necessary, adjust the height of the arm rest. The arm rest is then secured in place with the locking handle.

Technical information

Seat width:	480 mm	18.9"
Seat depth:	265 mm	10.43"
Castor Ø	Ø80 mm	Ø3.15"
Weight:	37,5 kg	82,67 lbs
Weight incl. OxygenTankHolder:	43,5 kg	95.9 lbs
Max. weight capacity:	180 kg	400 lbs

Dimensions



Care of the product

- Use a soft cloth and mild cleaning agent such as dishwashing liquid or car shampoo to clean RoWalker400. Do not use abrasive cloths or brushes.
- Do not use solvents.
- To disinfect, use 70% alcohol.

Accessories

OxygenTankHolder

An accessory that can be attached to the RoWalker400 enables convenient use of an oxygen tank during walking training.



P O Box 4791 Ferndown Dorset BH22 9WB

Tel: 07857 603031 Fax: 01202 877240

Email: info@amilakesouthern.co.uk