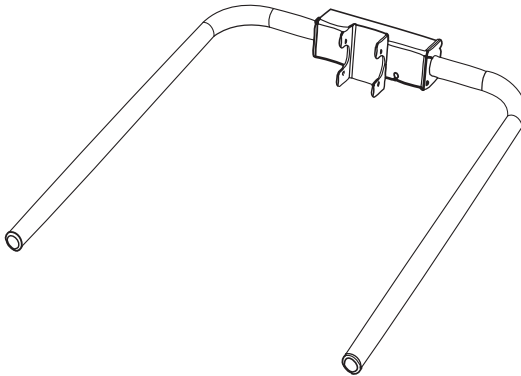


AmbulationArm

SystemRoMedic™



SWL: 60 kg/132 lbs

AmbulationArm is an aluminium support handle that can be installed on the various Eva mobile lift models from SystemRoMedic. AmbulationArm provides support for the patient during gait training. The patient must use a lift vest, for example, a WalkingVest, for support and safety during gait training. The arm rests are long and therefore enable many gripping alternatives for different patients during the entire gait training exercise.

Handicare's SystemRoMedic product series includes a range of lifts, slings and other accessories. SystemRoMedic adopts a holistic approach to patient transfers and is organized in four categories: transfer, positioning, support and lifting.



Functional inspection

Visual inspection

Inspect lift functions regularly. Check to ensure that material is free from damage.

Before use:

Ensure that the product is correctly assembled.

Check slingbar connection and safety latch function.

Check lift and base-width movement.

Check to ensure that the actuator is correctly installed.



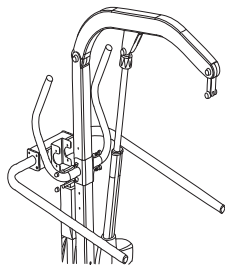
Always read the manual

Always read the manuals for all assistive devices used during a transfer.

Keep the manual where it is accessible to users of the product.

The lift may only be used by persons who have received instruction in the operation of the lift.

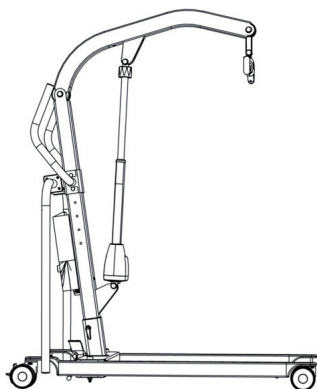
Assembly



NOTE! AmbulationArm must be installed by a qualified technician.

AmbulationArm is installed from the rear of the lift, outside of the handlebar, which is installed from the front of the lift. Make sure that AmbulationArm is installed with the right side facing up. The height of AmbulationArm is easily adjusted to the patient's height by changing the height of the mast. Masts on Eva lifts have three height intervals.

Using AmbulationArm



Pull the arm rests back to a hanging position to prevent them from hitting the patient during positioning of the lift.

Place the lift in front of the patient and hang the lift loops on the slingbar. A SlingBarWrap can be placed around the slingbar. It protects the patient's head in the event of impact with the mid-section of the slingbar.

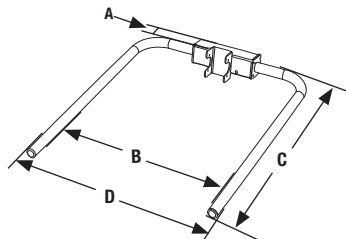
NOTE! Exercise caution when swinging the arm rests back/forward, since they swing freely and may hit the patient or caregiver.

When the WalkingVest is in place, the arm rests can be rotated to the forward position. Raise the lift arm so that the WalkingVest supports the patient. Ask the patient to grasp the arm rests and to slowly stand up. At the same time raise the lift arm and make sure the patient does not hit his/her head on the slingbar when standing up.



NOTE! The patient must not hang on or lean against the arm rests. They are only to be used for support.

Measurements



	A	B
A	70	2,76
B	495	19,5
C	820	32,31
D	570	22,46

Column A measurement is in mm.

Column B measurement is in inches.

Maintenance

When necessary, clean the product using warm water or rubbing alcohol. Do not use cleaning agents containing phenol or chlorine, as this may damage the material.

Amilake Southern Ltd
P O Box 4791 Ferndown Dorset BH22 9WB
Tel: 07857 603031 Fax: 01202 877240 E Mail: info@amilakesouthern.co.uk